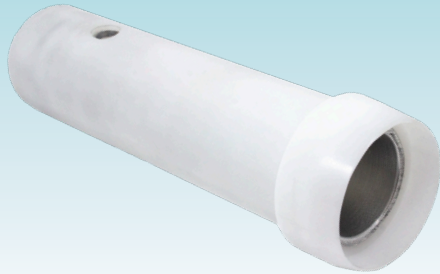




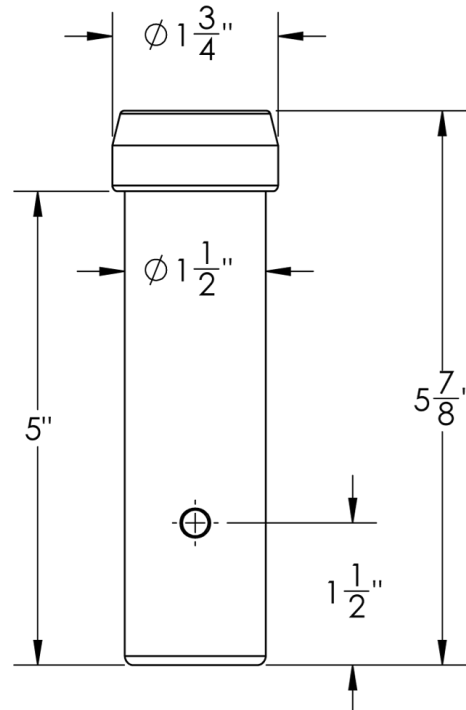
## OUTRIGGER BASE REDUCER



If you currently have a set of TACO Marine 1-1/8" diameter outrigger poles from your GS-170 mounts, they can still be used if you upgrade your bases to our GS-280 or above series that accept 1-1/2" diameter pin-locking butt poles. Our TACO Outrigger Base Reducer is the perfect complement to allow your current poles to be used, by reducing the base without missing a beat.

### FEATURES & BENEFITS

- Reduces Grand Slam base from 1-1/2" to 1-1/8"
- Nylon, easy-to-install sleeve design



### WARNING:

This product can expose you to chemicals including Lead, which is known to the State of California to cause cancer, birth defects or other reproductive harm. For more information go to [www.P65Warnings.ca.gov](http://www.P65Warnings.ca.gov).

w [tacomarine.com](http://tacomarine.com) | ph 800.653.8568 | e [info@tacomarine.com](mailto:info@tacomarine.com)



PART #	DESCRIPTION	LENGTH	INSIDE DIA.	OUTSIDE DIA.	UOM	UPC
GSC-0025	Outrigger Base Reducer	6"	1-1/8"	1-1/2"	EA	630838012311